

## Dynamic Ear Receiver Specification

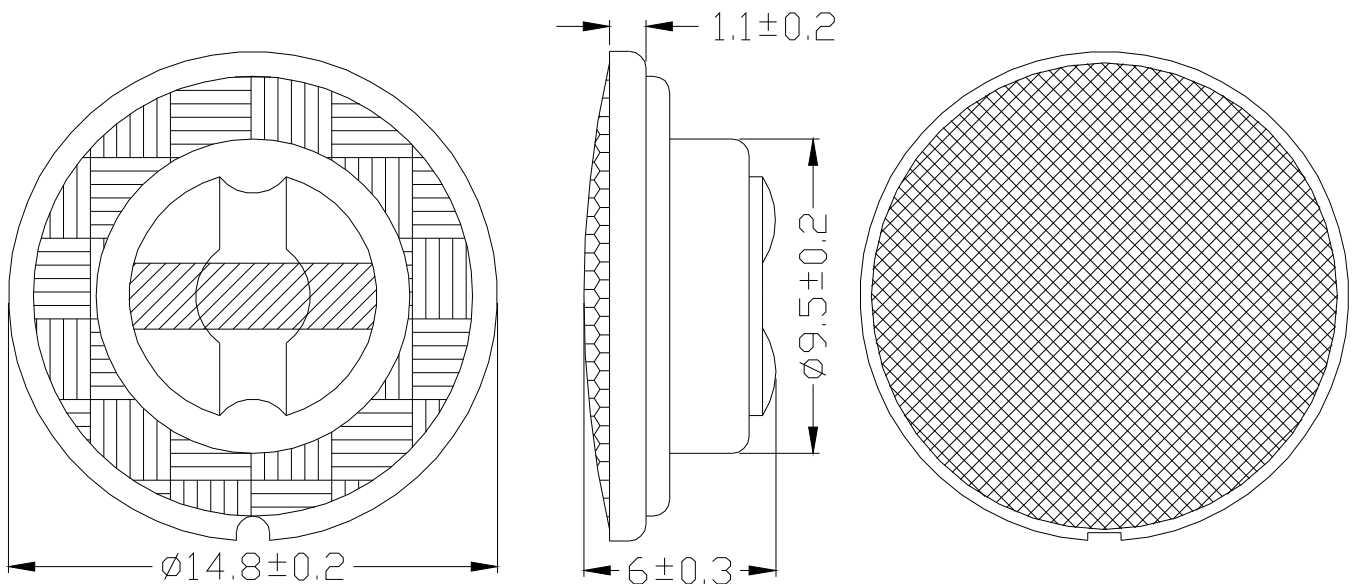
Customer			DES	CHK	APP	
Part No.	Customer No	15E1068-3P2.5-6D5		Amy Xiao	David Qian	Techie
	Our Part No					

### Receiver Specification

No.	Item	Specification	Testing Condition
1.	Rated Imp	32ohm±15%	At 1 kHz 1.0V
2.	D.C Impedance	29.7ohm±10%	At 20°C
3.	Output S.P.L.	112±3dB	At 1mW IEC318 1KHz
4.	Input Power	Rated Power 5mW	Max Power 10mW
5.	Frequency Range	20----20KHz	Output S.P.L. -10dB
6.	Operation	Must Be Normal	Program Source 5mW
7.	Buzzes & Rattles	Must Be Normal	Sine Wave 0.4V
8.	Distortion	5% Max	Input 100mV at 1000Hz
9.	Magnet	Size: Φ6.5×1.5mm Weight: 0.35g	
10.	Flux Density	-----Gauss	
11.	Load Test	At rated power white noise is applied for 96 hours and then should Satisfy the test described under item 2 and 7.	
12.	Heat Test	After having been in a test chamber for 96 hours at the condition of +60°C ±3°C and then left 2 hours in a room. Should satisfy the described under item 2 and 7.	

**Our P/N:** 15E1068-3P2.5-6D5

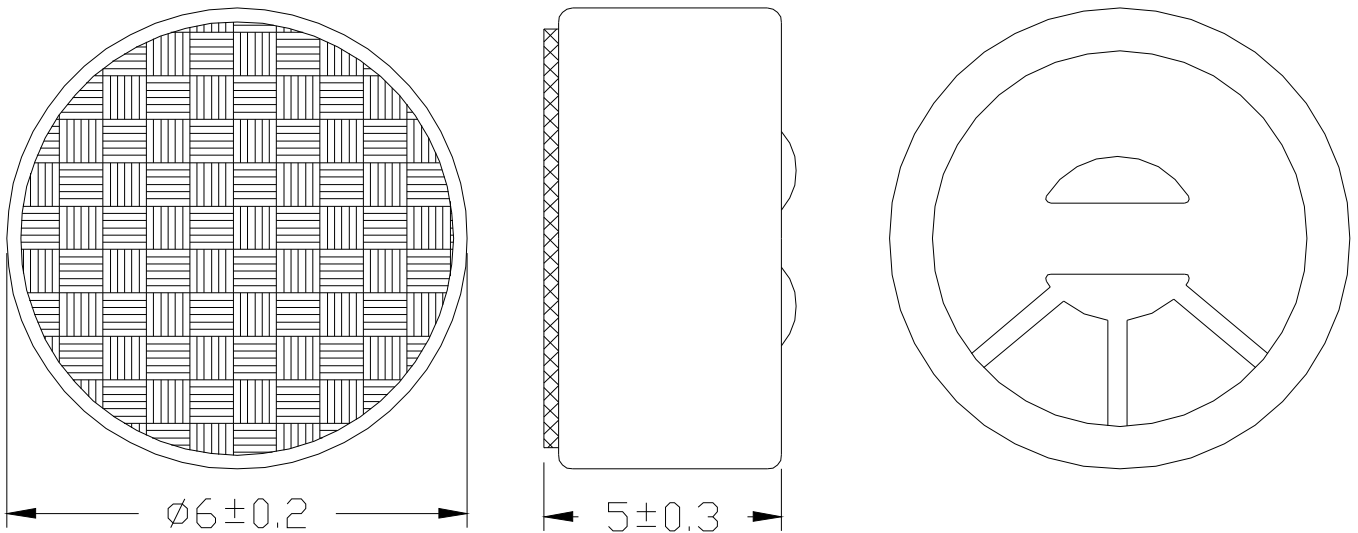
14.	Cold Test	After having been in a test chamber for 96 hours at the condition of $-25^{\circ}\text{C} \pm 3^{\circ}\text{C}$ and then left 2 hours in a room. Should satisfy the described under item 2 and 7.
15.	Humidity	After having been in a test chamber for 96 hours at the condition of $40^{\circ}\text{C} \pm 2^{\circ}\text{C}$ 90~95% R.H and then left 4 hours in a room. Should satisfy the described under item 2 and 7.
16.	Drop Test	Drop the speakers contained in normal box onto a board 5mm thick 2 times from a height of 0.75m and the should satisfy the test described under item 1 and 7.
17.	Polarity	When a positive D.C current is applied to the voice terminal marked red, the diaphragm shall move forward.
18.	Operating Temperature	$-20^{\circ}\text{C}$ to $+50^{\circ}\text{C}$
20.	Storage Temperature	$-25^{\circ}\text{C}$ to $+60^{\circ}\text{C}$
21.	Weight	0.65g/PCS



Our P/N: 15E1068-3P2.5-6D5

## Microphone Specification

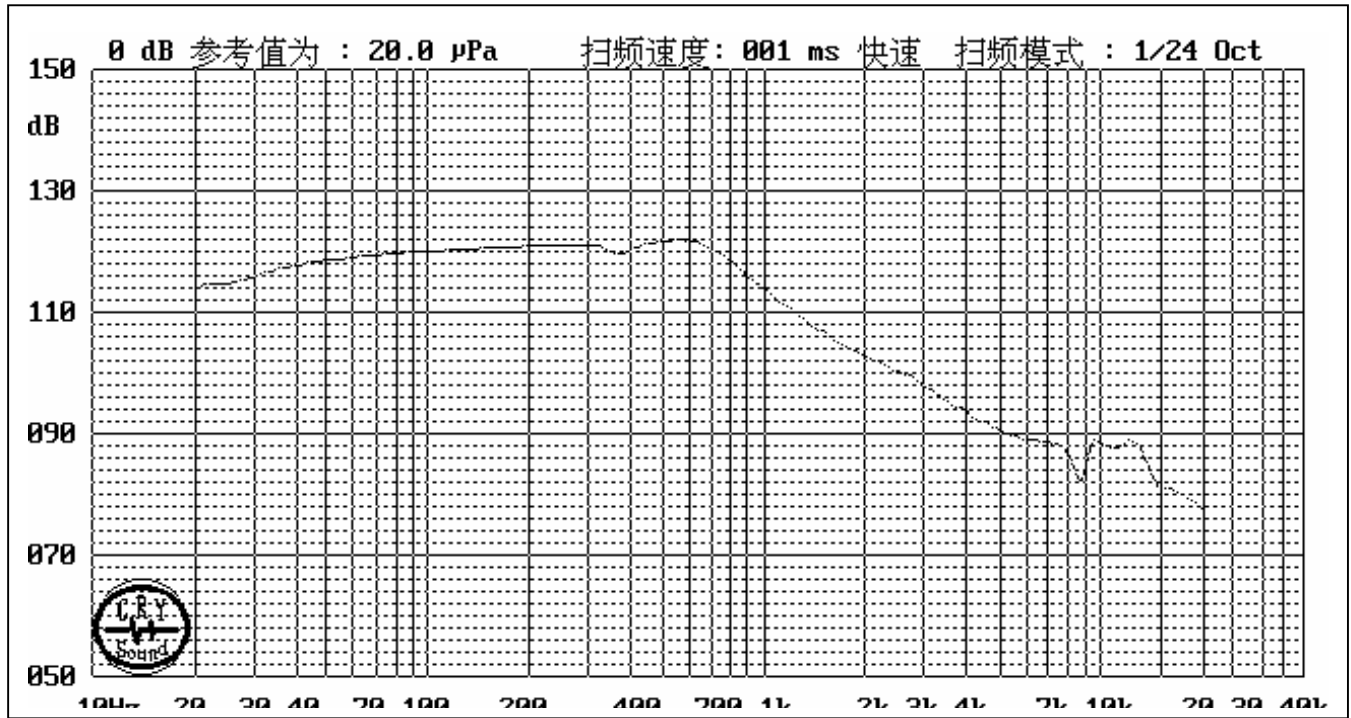
No.	Item	Specification
1.	Model	Φ6×5 58dB
2.	Sensitivity	58dB±2dB at 1KHz
3.	Impedance	Max: 2.2KΩ at 1KHz
4.	Resonance Freq	150Hz±50Hz
5.	Frequency Range	FO--16000Hz
6.	Current CONSUMPTION	Max: 0.5mA
7.	S/N ratio	Min: 58dB at 1KHz



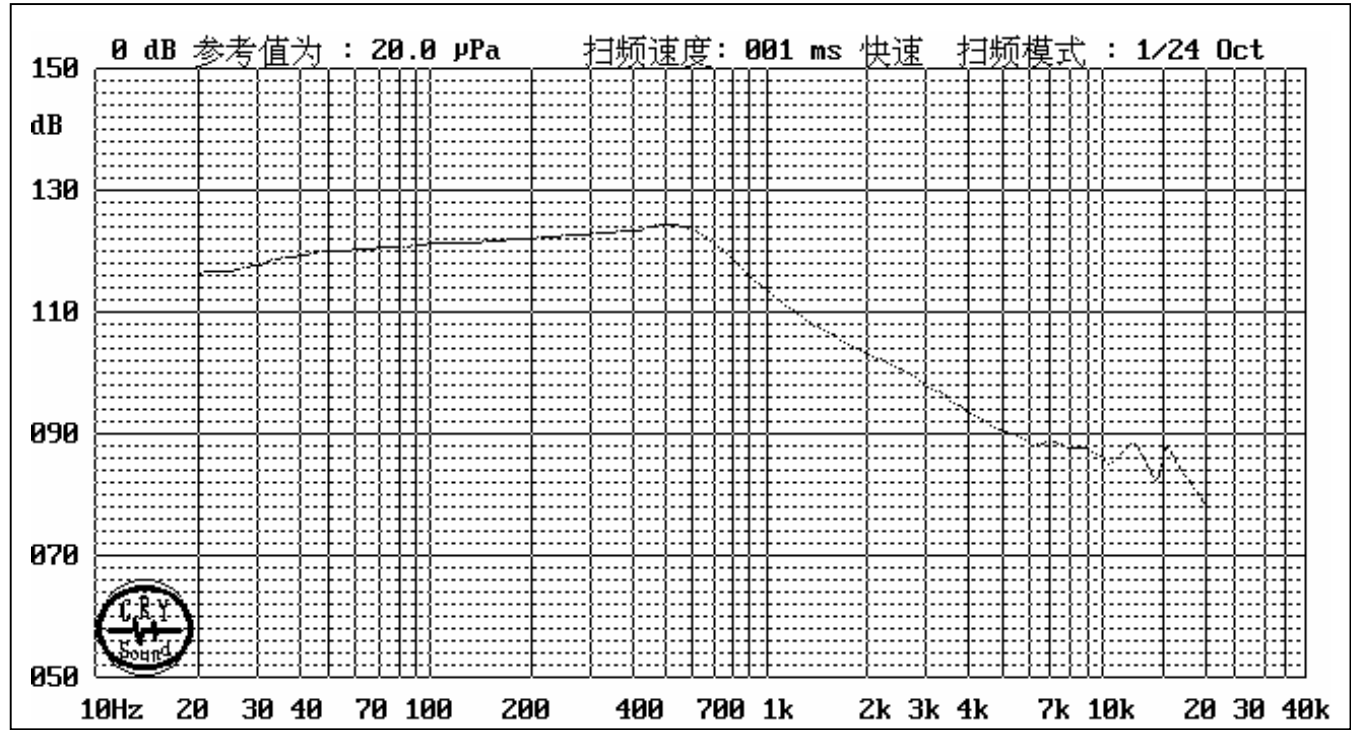
Our P/N: 15E1068-3P2.5-6D5

### Frequency Response

Left ear

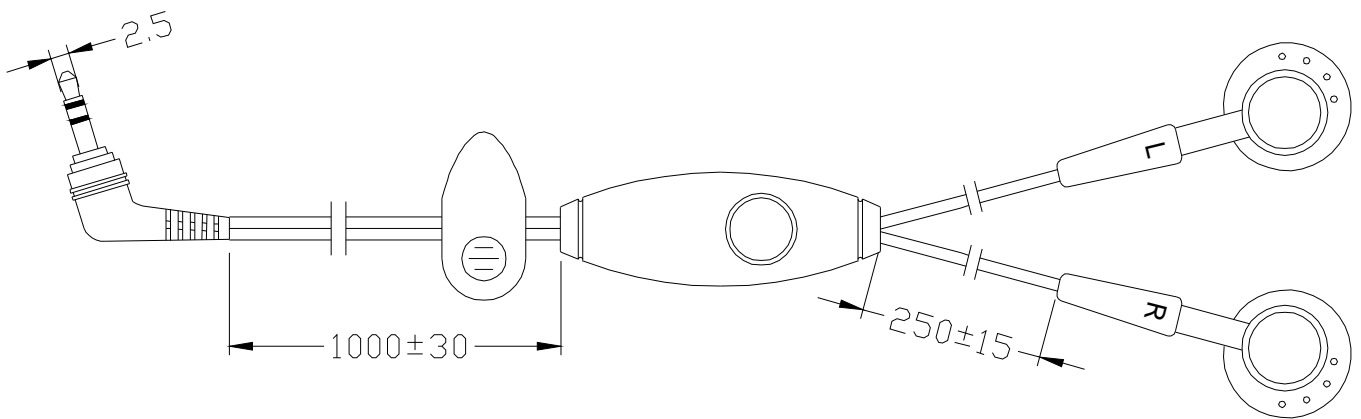
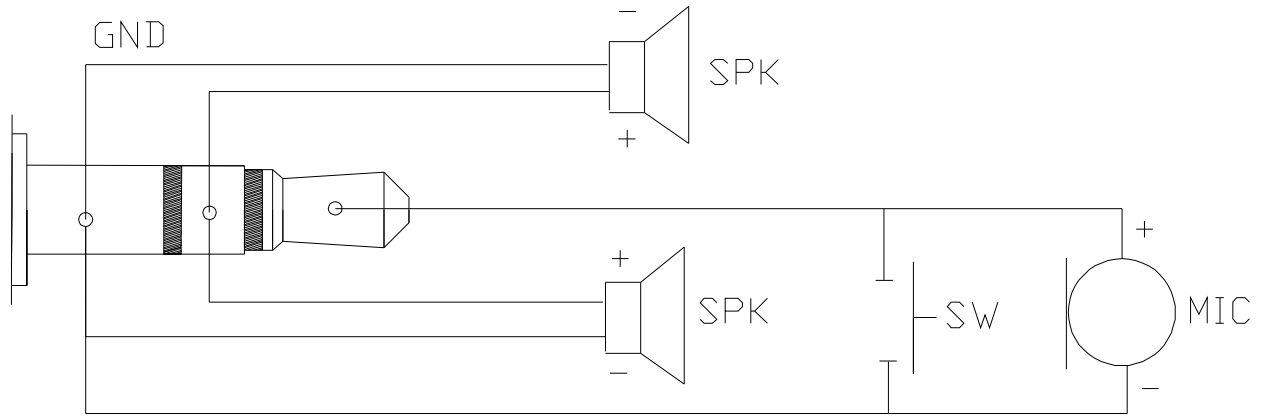


Right ear



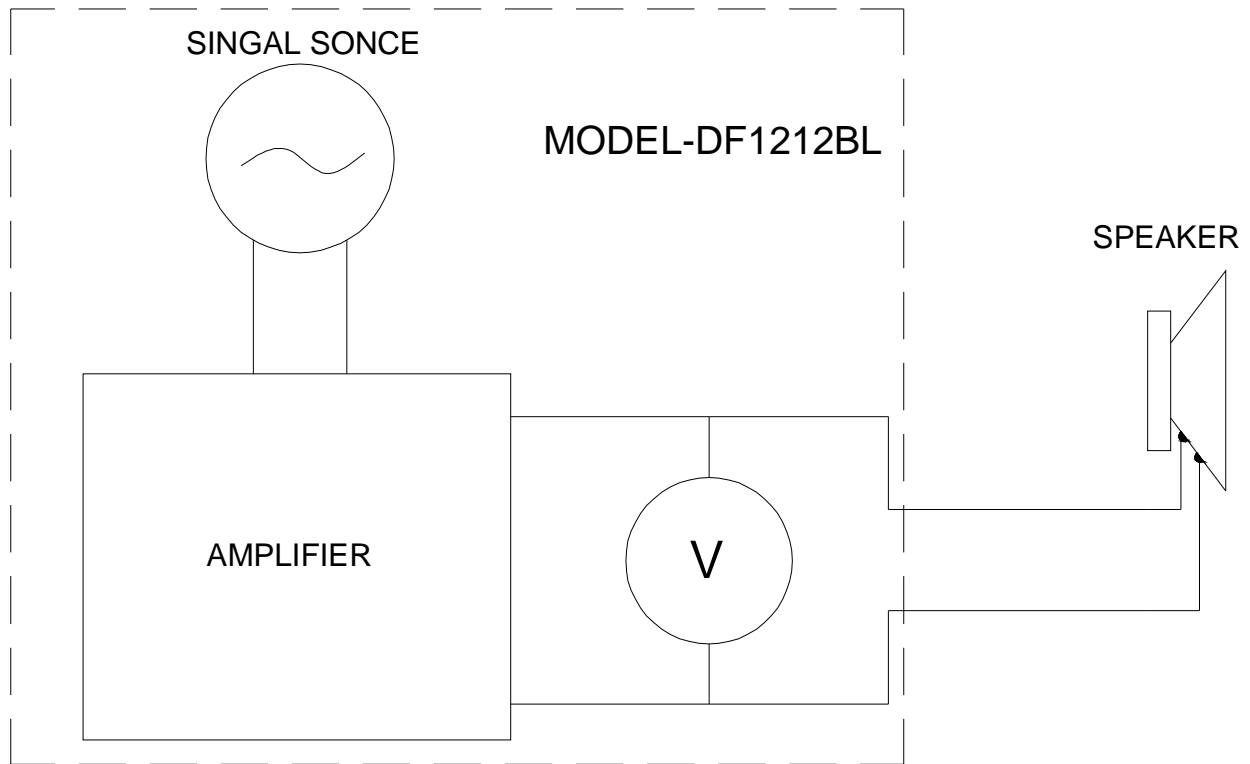
Our P/N: 15E1068-3P2.5-6D5

Product Outside View



**Our P/N:** 15E1068-3P2.5-6D5

### Noise Testing



Testing Method	
Item	Testing Condition
1. Testing voltage	U=0.4V
2. Testing Frequency Range	From 100Hz to 2500Hz
3. Testing speed	S $\geq$ 0.8s/Cycle
4. Operation	The distance from speaker to tester's ear is 1cm