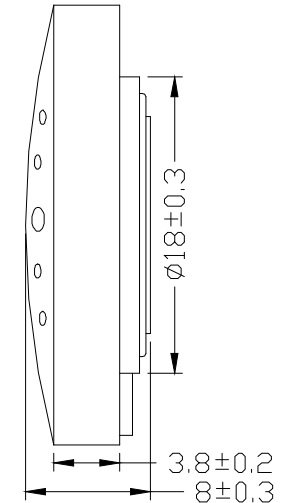
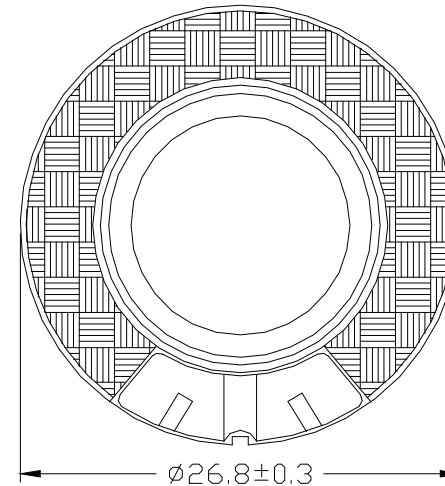
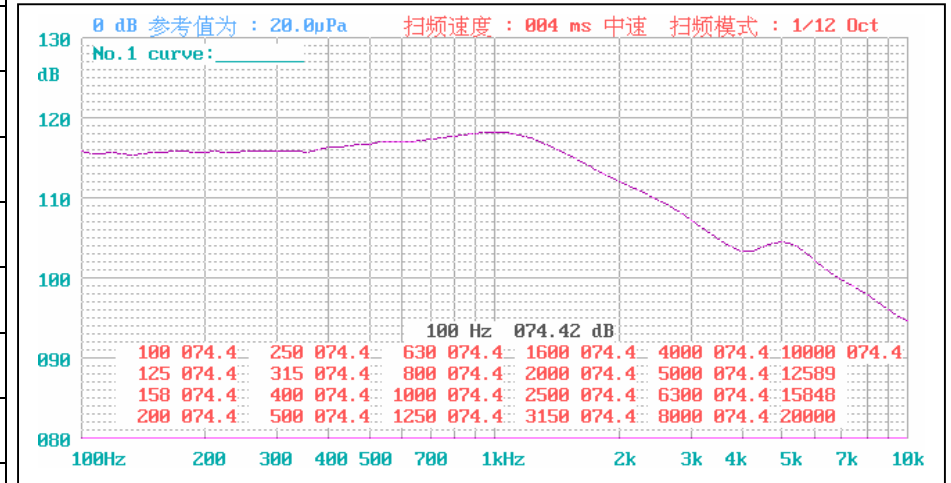


Our Part No		27P01CH-16WF32-6J31	
Size	Diameter 27mm	Total Height	8.0 mm
No.	Item	Specification	Testing Condition
1.	Rated Imp	32ohm $\pm$ 15%	At 1 kHz 1.0V
2.	D.C Impedance	29.7ohm $\pm$ 10%	At 20°C
3.	Output S.P.L.	118 $\pm$ 3dB	At 1mW IEC318 1KHz
4.	Input Power	Rated Power: 15mW	Max Power: 30mW
5.	Frequency Range	40----10KHz	Output S.P.L. -10dB
6.	Operation	Must Be Normal	Program Source 15mW
7.	Buzzes & Rattles	Must Be Normal	Sin Wave 0.8V
8.	Load Testing	After Test Meet 1&6	15mW 96hours White Noise
9.	Distortion	5% Max	Input Rated Power at 1000Hz
10.	Heat Testing	After Test 7&8&9	+60°C $\pm$ 3°C 48hours
11.	Cold Testing	After Test 7&8&9	-20°C $\pm$ 3°C 48hours
12.	Humidity Testing	After Test 7&8&9	40°C $\pm$ 2°C 90~95% R.H. 48hours
13.	Insulation Resistance	1M $\Omega$	Dc100v FRA. And TER.
14.	Magnet Size	$\varnothing$ 12.5 $\times$ 1.5	N35
15.	Net Weight	5.2g/PC	
16.	Polarity	When a positive D.C voltage is applied to the terminal marked red, the diaphragm should move to the front.	



**POWER SOUND ELECTRONICS LTD.** - Acoustic Components Manufacturer

Tel: +86-755-8423 5076,8423 5093, 8423 5316 Fax: +86-755-8423 5085 E-mail: [psound@szonline.net](mailto:psound@szonline.net)

<http://www.chnpowersound.com>