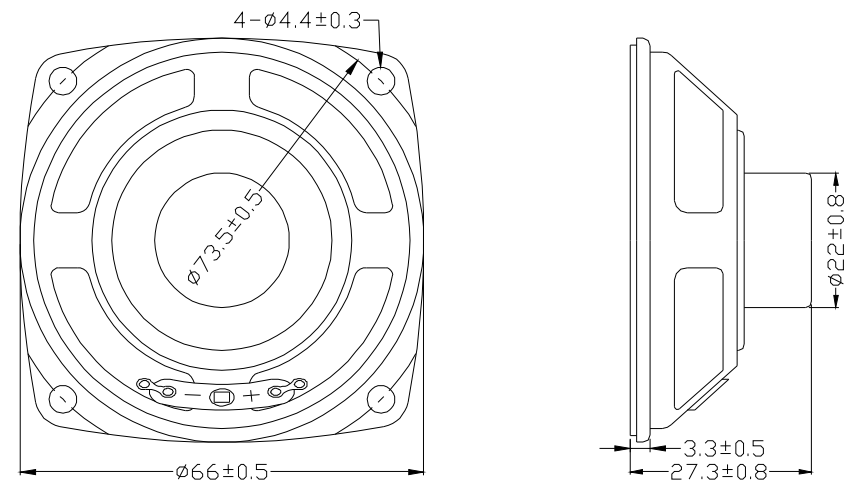
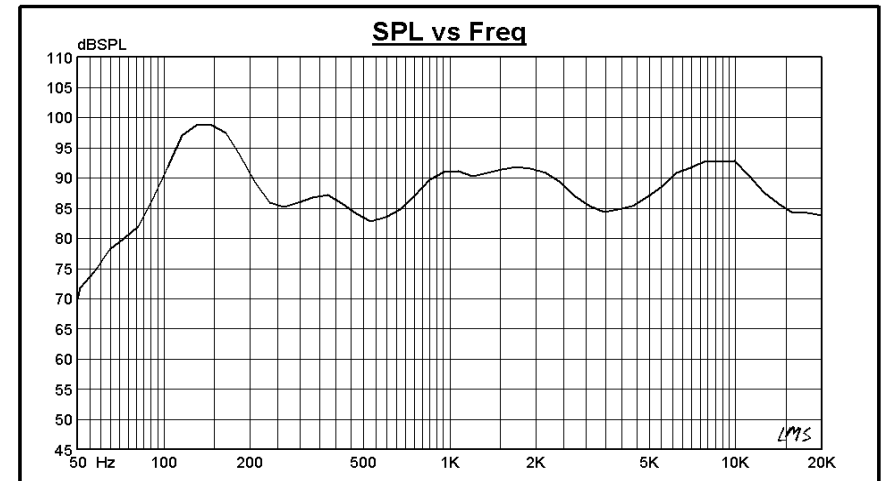


Loud Speaker Specification

Our Part No		66N05-8F140-6A5	
Size	Diameter 66mm	Total Height	27.3 mm
No.	Item	Specification	Testing Condition
1.	Rated Imp	8ohm \pm 15%	At 1 kHz 1.0V
2.	Resonance Freq	140Hz \pm 20%	Without Baffle
3.	Output S.P.L.	88 \pm 3dB	At 0.5m 1W 400, 600, 800, 1KHz Average
4.	Input Power	Rated Power: 4.0W	Max Power: 6.0W
5.	Frequency Range	F0---20KHz	Output S.P.L. -10dB
6.	Operation	Must Be Normal	Program Source: 4.0W
7.	Buzzes & Rattles	Must Be Normal	Sin Wave 5.60V
8.	Load Test	After Test Meet 2&7	4.0W 48hours White Noise
9.	Distortion	5% Max	4.0W 1000Hz
10.	Heat Test	After Test 7&8&9	+70°C \pm 3°C 48hours
11.	Cold Test	After Test 7&8&9	-30°C \pm 3°C 48hours
12.	Humidity	After Test 7&8&9	40°C \pm 2°C 90~95% R.H. 48hours
13.	Insulation Resistance	10M Ω	Dc100v FRA. And TER.
14.	Magnet	\varnothing 12.5 \times 3mm	N35
15.	Net Weight	36.2 g/PC	
16.	Polarity	When A Positive D.C Voltage Is Applied To The Terminal Marked (+) The Diaphragm Should Move To The Front.	



POWER SOUND ELECTRONICS LTD. •Acoustic Components Manufacturer
 Tel: +86-755-8423 5076,8423 5093,8423 5316 Fax: +86-755-8423 5085 E-mail: psound@szonline.net
<http://www.chnpowersound.com>